



Weyn-Lauwers N.V.

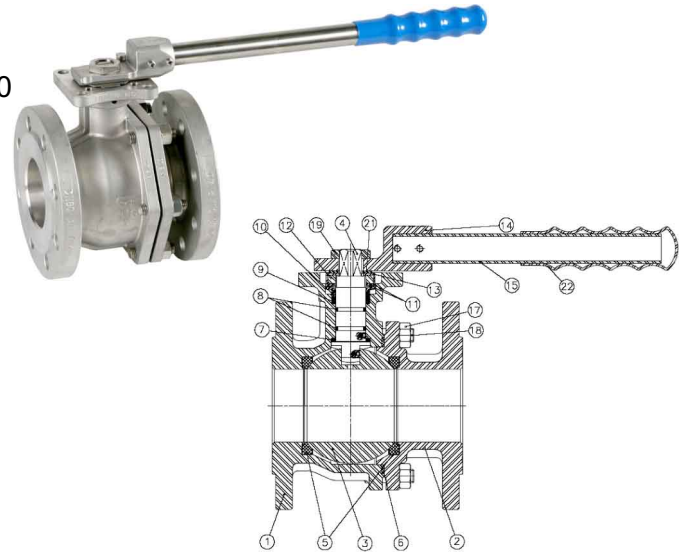
Industriepark-Noord 12
B - 9100 SINT-NIKLAAS

Tel. : 00 32 (0)3 776.34.13
Fax : 00 32 (0)3 778.09.52
weynlauwers@weynlauwers.be
www.weynlauwers.be

BALL VALVE
PN40 - FULL BORE
SS316
FIG 175.40

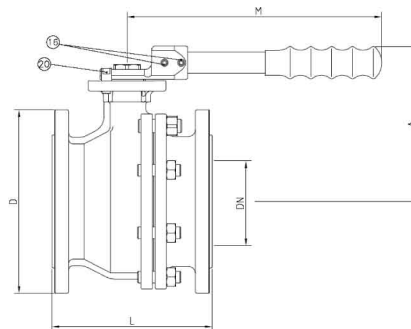
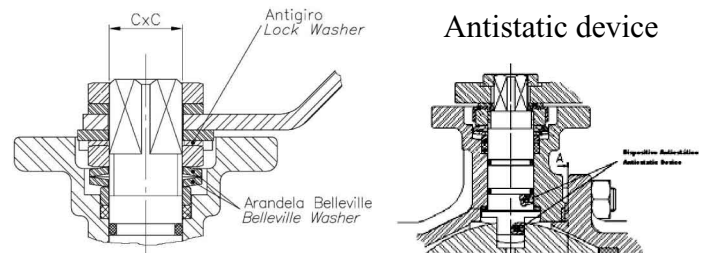
DESIGN FEATURES

- 2-PC ball valve DN65 - DN150
- Flanges acc. DIN2501 : PN40 for DN 65 to DN 150
- min. : -30°C +180°C
- face to face acc. DIN3202 F4/F5
- specifications :
 - anti-blow out stem
 - block system
 - Full bore
 - direct mounting pad acc. ISO 5211
 - fire-safe design
 - anti-static device



MATERIALS

item	Part name	Material
1	body	1.4408 (CF8M)
2	cap	1.4408 (CF8M)
3	ball	SS 316
4	stem	SS 316
5	seat ball	PTFE + 15 % G.F.
6	gasket	PTFE
7	Thrust washer	PTFE
8	O-ring	viton
9	stem packing	PTFE
10	Gland	SS 304
11	spring washer	SS 301
12	nut	SS 304
13	Lock washer	SS 304
14	Body Handle	1.4408 CF8M
15	Handle	SS 304
16	Stud Bolt	SS 304
17	nut	SS 304
18	Stud Bolt	SS 304
19	nut	SS 304
20	Stopper	SS 304
21	Washer	SS 304
22	Handle Sleeve	Vynil



SIZE (in mm)

DN	65	80	100	125	150
PN	40	40	40	40	40
D	185	200	235	270	300
A	155	165	180	200	350
L	170	180	190	325	350
M	280	280	280	380	450
ISO5211	F07/F10	F07/F10	F07/F10	F10/F12	F10/F12
C x C	17x17	17x17	17x17	27x27	27x27
kg	17,15	21,2	30,0	50,0	69,5
ref.	204330	204331	204332	204333	204334

